



Test Report

No.: GZ1108108931/CHEM

Date: AUG 23, 2011

Page 1 of 5

TAIZHOU HUANGYAN PENGXIN PLASTIC MACHINE CO. LTD
8 YALIN INDUSTRIAL ZONE HUANGYAN AREA, TAIZHOU, ZHEJIANG

The following sample(s) was/were submitted and identified on behalf of the applicant as Plastic water bottle

SGS Job No. : SZ13318024
Client Reference Information : Product material: PE、TPR、Silica gel
Buyer : TOBOTEX
Country of Destination : EUROPEAN UNION
Country of Production : CHINA
Date of Sample Received : AUG 18, 2011
Testing Period : AUG 18, 2011 TO AUG 23, 2011

Test Requested : Please refer to the result summary.

Test Method & Results : Please refer to next page(s).

Result Summary :

Table with 2 columns: Test Requested, Conclusion. Rows include testing as per Commission Regulation (EU) No 10/2011 of 14 January 2011, Council of Europe Resolution AP (2004) 5, and Council of Europe Resolution AP (2004) 4.

Signed for and on behalf of
SGS-CSTC Ltd.

Jenny

Jenny Jiang
Approved Signatory

This document is issued by the Company under its General Conditions of Service printed overleaf or available on request and accessible at http://www.sgs.com/terms_and_conditions.htm. Attention is drawn to the limitation of liability, indemnification and jurisdiction issues defined therein. Any holder of this document is advised that information contained hereon reflects the Company's findings at the time of its intervention only and within the limits of Client's instructions, if any. The Company's sole responsibility is to its Client and this document does not generate parties to a transaction from exercising all their rights and obligations under the transaction documents. Any unauthorized alteration, forgery or falsification of the content or appearance of this document is unlawful and offenders may be prosecuted to the fullest extent of the law. Unless otherwise stated, the results shown in this test report refer only to the sample(s) tested. This document cannot be reproduced except in full, without prior approval of the Company.



SGS - Standards Technical Service Co., Ltd
Guangzhou Testing Services Center Chemical Laboratory

198 Kazhu Road, Sointech Park, Guangzhou Economic & Technology Development District, Guangzhou, China 510863 | (86-20) 82155555 | (86-20) 82075125 www.cn.sgs.com
中国·广州·经济技术开发区科学城科珠路198号 邮编: 510863 | (86-20) 82155555 | (86-20) 82075125 e sgs.china@sgs.com

Test Results :

A: Testing as per Commission Regulation (EU) No 10/2011

a) Plastic – Overall migration

Method : With reference to 82/711/EEC with its amendments and 2002/72/EC with its amendments for selection of condition and EN1186-1:2002 for selection of test method;
 EN 1186-3:2002 aqueous food simulants by total immersion method;
 EN 1186-9:2002 aqueous food simulants by article filling method;

Simulant Used	Test Condition	Result (mg/kg)		Detection Limit (mg/kg)	Permissible Limit (mg/kg)
		No.1	No.2		
Distilled water	2 hours at 40°C	N.D.	N.D.	20	60
3% Acetic Acid (W/V) Aqueous Solution	2 hours at 40°C	N.D.	N.D.	20	60
50% Ethanol (V/V) Aqueous Solution	2 hours at 40°C	N.D.	N.D.	20	60
Comment	--	PASS	PASS	--	--

Note : 1. mg/kg = milligram per kilogram of foodstuff in contact with
 2. °C = degree Celsius
 3. N.D. = Not Detected
 4. Test sample No.1 was applied to container with capacity of 0.6 L.
 5. Permissible Limit is according to Commission Regulation (EU) No 10/2011 of 14 January 2011
 6. The test data is obtained by considering the articles intended for repeated use as per described in Commission Regulation (EU) No 10/2011 of 14 January 2011 Annex V.

B: Testing as per Council of Europe Resolution AP (2004) 5

a) Silicone rubber–Overall migration

Method : With reference to EN 1186-1:2002 for selection of conditions and test methods;
 EN 1186-3:2002 aqueous food simulants by total immersion method;

Simulant Used	Test Condition	Result (mg/kg)	Detection Limit (mg/kg)	Permissible Limit (mg/kg)
		No.3		
Distilled Water	2 hours at 40°C	N.D.	20	60
3% Acetic Acid (W/V) Aqueous Solution	2 hours at 40°C	N.D.	20	60
50% Ethanol (V/V) Aqueous Solution	2 hours at 40°C	N.D.	20	60
Comment	--	PASS	--	--

Note : 1. mg/kg = milligram per kilogram of foodstuff in contact with
 2. °C = degree Celsius
 3. N.D. = Not Detected
 4. The test data is obtained by considering the articles intended for repeated use as per described in EN 1186-1:2002 clause 9.8.
 5. Test sample was applied to container with capacity of 0.6 L.

This document is issued by the Company under its General Conditions of Service printed overleaf or available on request and accessible at http://www.sgs.com/terms_and_conditions.htm. Attention is drawn to the limitation of liability, indemnification and jurisdiction issues defined therein. Any holder of this document is advised that information contained hereon reflects the Company's findings at the time of its intervention only and within the limits of Client's instructions, if any. The Company's sole responsibility is to its Client and this document does not generate parties to a transaction from exercising all their rights and obligations under the transaction documents. Any unauthorized alteration, forgery or falsification of the content or appearance of this document is unlawful and offenders may be prosecuted to the fullest extent of the law. Unless otherwise stated, the results shown in this test report refer only to the sample(s) tested. This document cannot be reproduced except in full, without prior approval of the Company.



C: Testing as per Council of Europe Resolution AP (2004) 4

a) Rubber – Overall migration test

Method : With reference to EN 1186-1:2002 for selection of conditions and test methods;
EN 1186-3:2002 aqueous food simulants by total immersion method;

Simulant Used	Test Condition	Result (mg/kg)	Detection Limit (mg/kg)	Permissible Limit (mg/kg)
		No.4		
Distilled Water	2 hours at 40°C	N.D.	20	60
3% Acetic Acid (W/V) Aqueous Solution	2 hours at 40°C	24	20	60
50% Ethanol (V/V) Aqueous Solution	2 hours at 40°C	N.D.	20	60
Comment	--	PASS	--	--

- Note :
1. mg/kg = milligram per kilogram of foodstuff in contact with
 2. °C = degree Celsius
 3. N.D. = Not Detected
 4. The test data is obtained by considering the articles intended for repeated use as per described in EN 1186-1:2002 clause 9.8.
 5. Test sample was applied to container with capacity of 0.6 L.

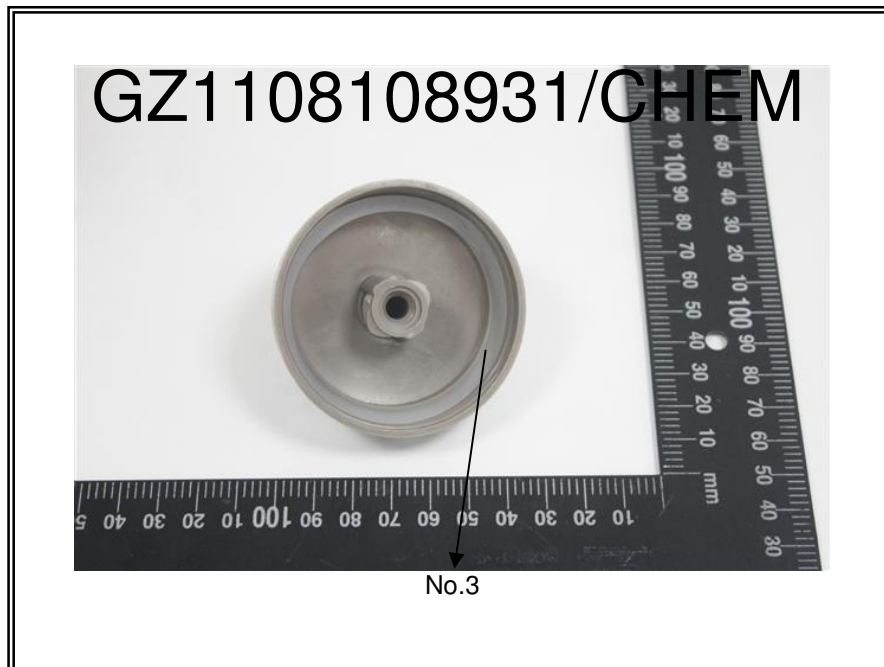
Test Part Description :

- No. 1 Dk-brown plastic lid
- No. 2 Red plastic bottle
- No. 3 Translucent silicone rubber ring
- No. 4 Lt-brown rubber

This document is issued by the Company under its General Conditions of Service printed overleaf or available on request and accessible at http://www.sgs.com/terms_and_conditions.htm. Attention is drawn to the limitation of liability, indemnification and jurisdiction issues defined therein. Any holder of this document is advised that information contained hereon reflects the Company's findings at the time of its intervention only and within the limits of Client's instructions, if any. The Company's sole responsibility is to its Client and this document does not generate parties to a transaction from exercising all their rights and obligations under the transaction documents. Any unauthorized alteration, forgery or falsification of the content or appearance of this document is unlawful and offenders may be prosecuted to the fullest extent of the law. Unless otherwise stated, the results shown in this test report refer only to the sample(s) tested. This document cannot be reproduced except in full, without prior approval of the Company.



Sample photo :



This document is issued by the Company under its General Conditions of Service printed overleaf or available on request and accessible at http://www.sgs.com/terms_and_conditions.htm. Attention is drawn to the limitation of liability, indemnification and jurisdiction issues defined therein. Any holder of this document is advised that information contained hereon reflects the Company's findings at the time of its intervention only and within the limits of Client's instructions, if any. The Company's sole responsibility is to its Client and this document does not generate parties to a transaction from exercising all their rights and obligations under the transaction documents. Any unauthorized alteration, forgery or falsification of the content or appearance of this document is unlawful and offenders may be prosecuted to the fullest extent of the law.

Unless otherwise stated, the results shown in this test report refer only to the sample(s) tested. This document cannot be reproduced except in full, without prior approval of the Company.





SGS authenticate the photo on original report only
 *** End of Report ***

This document is issued by the Company under its General Conditions of Service printed overleaf or available on request and accessible at http://www.sgs.com/terms_and_conditions.htm. Attention is drawn to the limitation of liability, indemnification and jurisdiction issues defined therein. Any holder of this document is advised that information contained hereon reflects the Company's findings at the time of its intervention only and within the limits of Client's instructions, if any. The Company's sole responsibility is to its Client and this document does not generate parties to a transaction from exercising all their rights and obligations under the transaction documents. Any unauthorized alteration, forgery or falsification of the content or appearance of this document is unlawful and offenders may be prosecuted to the fullest extent of the law.

